

 *Cardinal*[®]

ARMOR[®]
TRUCK SCALES



Cardinal Scale
Armor[®] model
13570-EPR
electronic truck scale
with optional guide rails



Cardinal Scale
Armor® model
13570-EPR-C
concrete deck
truck scale

SUPERIOR-STRENGTH TRUCK WEIGHING

As the name implies, Cardinal's Armor® Truck Scales provide you with superior-strength, long-life steel construction for optimum vehicle weighing. The Armor's durable baked-on, anti-corrosion tan powder paint stands the test of time. The NTEP legal-for-trade Armor® arrives fully-prepared for installation and includes DB75000 lb stainless steel load cells standard, which are factory assembled. A wide selection of Armor® capacities, platform sizes, and types are available from Cardinal Scale.

Each Armor® scale bridge features interconnecting load blocks and receivers for an efficient, no-bolt installation. Rodent protection is standard throughout the scale via conduit integral throughout each scale module. Every Armor® truck scale is 100% assembled and tested in the Cardinal factory before shipping to your location.



STEEL DECKS



CONCRETE DECKS

The concrete deck Armor® is field-ready for the pouring of concrete and features an exclusive flow-through I-beam design.

SMART DESIGN. BUILT STRONG.



ROBOTIC WELDING
QUALITY



PLASMA CUTTING
PRECISION

The Evolution of Truck Scale Construction Durability

Cardinal Scale's truck scale manufacturing experience dates back to the 1930's, and the Armor® is a result of continuous improvements in building USA-made long-lasting, high-capacity vehicle scales.



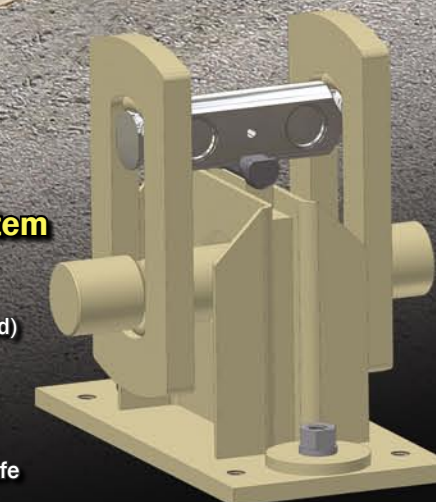
- USA-made stainless steel load cells and junction box.
- Junction box controls in the scale house or at the truck scale.
- Single source supplier for all optional equipment such as weight indicators, remote displays, and software.
- Concrete or steel deck models.
- Optional grain dump modules.
- NTEP legal-for-trade up to 14 ft. wide.
- Anti-corrosion industrial tan powder paint compliments any environment.
- Arrives fully-prepared for installation.



Cardinal Scale
Armor® model
13570-EPR
electronic truck
scale with optional
guide rails

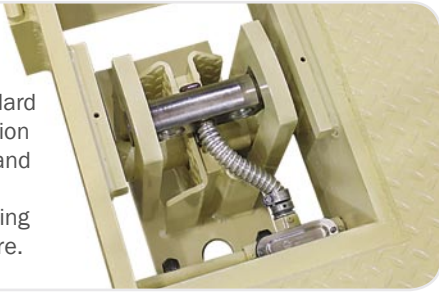
The Armor's Reliable Double-Link Suspension System

- Ships pre-installed from the factory
- Facilitates free-floating deck
- Self-centering (even distribution of load)
- Stainless steel USA-made load cells
- Minimal jacking for service or repair
- No load cell rotation under load
- Heavy-duty construction
- Hardened wear components for long life



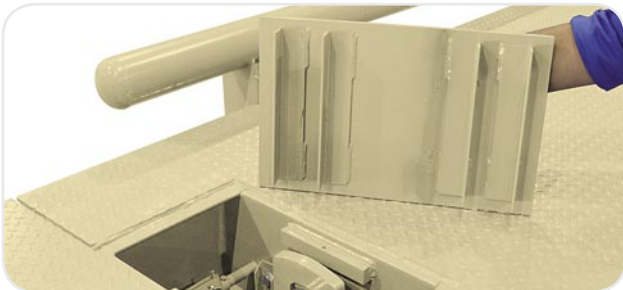
ARMOR® FEATURES

The Armor® features standard rodent protection via both rigid and flexible steel conduits, making it a snap to wire.



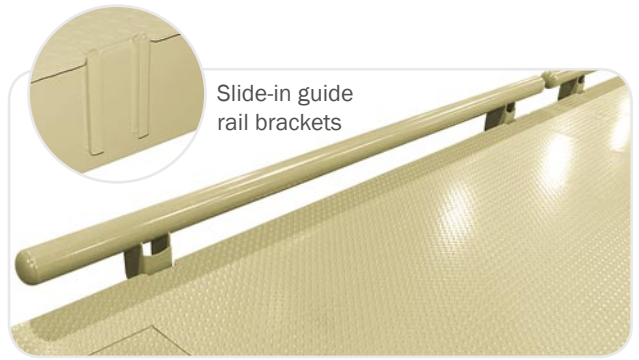
HIGH-CAPACITY LOAD CELL COMPONENTS

The Armor's load cell stands ship from the factory already installed to allow for rapid installations out in the field.



EASY-LIFT, NO-BOLT ACCESS COVERS

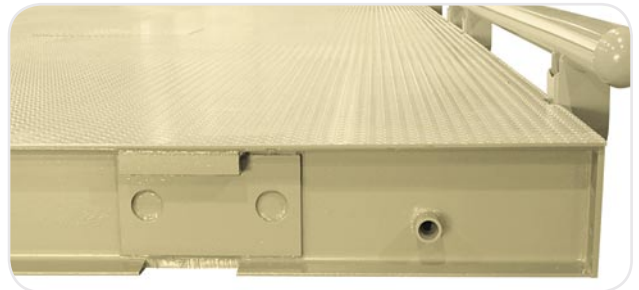
Heavy-duty cover plates allow access to the load cells and junction box while providing total protection of components.



Slide-in guide rail brackets

OPTIONAL STURDY GUIDE RAILS (steel deck shown)

The steel deck Armor® features flush-mounted, drop-in, no-bolt guide rail brackets standard.



MACHINED PRECISION MANUFACTURING

The Armor's interconnecting scale decks are fabricated with precision-cut machined components for exacting quality.

ADDITIONAL EQUIPMENT



SNAPSTREAM WIRELESS SYSTEMS

SnapStream is a fully-integrated NTEP legal-for-trade wireless truck scale system that can save on installation costs.



ICAN DIGITAL JUNCTION BOX

The iCan intelligent junction box features analog to digital conversion for real-time load cell diagnostics and monitoring.



UNATTENDED SYSTEMS / WEIGHT INDICATORS

Cardinal offers a selection of USA-made weight indicators and unmanned weighing systems to compliment your scale.



REMOTE DISPLAYS - TRAFFIC COORDINATION

Cardinal's giant SB500 has 5-inch-high, dual-row LED digits for long-distance visibility of truck scale weights up to 250 ft.

STEEL DECK MODELS

Armor® Steel Deck Truck Scales | 45-Ton CLC, 11-ft Wide

Model	Platform Size	Capacity (Tons)	CLC (Tons)	Sections	Shipping Weight
4512-EPR	12 ft x 11 ft	45	45	2	6,236 lb
4520-EPR	20 ft x 11 ft	45	45	2	9,400 lb
4525-EPR	25 ft x 11 ft	45	45	2	12,500 lb
7030-EPR	30 ft x 11 ft	70	45	3	13,580 lb
7040-EPR	40 ft x 11 ft	70	45	3	17,700 lb
8050-EPR	50 ft x 11 ft	80	45	3	22,500 lb
11060-EPR	60 ft x 11 ft	110	45	4	26,000 lb
13570-EPR	70 ft x 11 ft	135	45	4	29,600 lb
13575-EPR	75 ft x 11 ft	135	45	4	31,500 lb
13580-EPR	80 ft x 11 ft	135	45	5	34,400 lb
13590-EPR	90 ft x 11 ft	135	45	5	38,000 lb
135100-EPR	100 ft x 11 ft	135	45	6	42,800 lb
135110-EPR	110 ft x 11 ft	135	45	6	47,200 lb
135117-EPR	117 ft x 11 ft	135	45	6	50,200 lb
135120-EPR	120 ft x 11 ft	135	45	6	52,500 lb
135125-EPR	125 ft x 11 ft	135	45	6	54,000 lb

Armor® Steel Deck Truck Scales | 30-Ton CLC, 11-ft Wide

Model	Platform Size	Capacity (Tons)	CLC (Tons)	Sections	Shipping Weight
3012-EPR	12 ft x 11 ft	30	30	2	5,500 lb
3020-EPR	20 ft x 11 ft	30	30	2	9,600 lb
3025-EPR	25 ft x 11 ft	30	30	2	11,200 lb
3030-EPR	30 ft x 11 ft	30	30	3	12,800 lb
6040-EPR	40 ft x 11 ft	60	30	3	15,200 lb
6047-EPR	47 ft x 11 ft	60	30	3	18,500 lb
7050-EPR	50 ft x 11 ft	70	30	3	19,200 lb
10060-EPR	60 ft x 11 ft	100	30	4	22,300 lb
10070-EPR	70 ft x 11 ft	100	30	4	25,400 lb
10075-EPR	75 ft x 11 ft	100	30	4	28,700 lb
10080-EPR	80 ft x 11 ft	100	30	5	30,000 lb
10090-EPR	90 ft x 11 ft	100	30	5	33,000 lb
100100-EPR	100 ft x 11 ft	100	30	6	36,500 lb
100110-EPR	110 ft x 11 ft	100	30	6	40,800 lb
100117-EPR	117 ft x 11 ft	100	30	6	44,900 lb
100120-EPR	120 ft x 11 ft	100	30	6	45,000 lb
100125-EPR	125 ft x 11 ft	100	30	6	48,300 lb

Armor® Steel Deck Truck Scales | 45-Ton CLC, 14-ft Wide

Model	Platform Size	Capacity (Tons)	CLC (Tons)	Sections	Shipping Weight
8050-EPR14	50 ft x 14 ft	80	45	4	29,500 lb
11060-EPR14	60 ft x 14 ft	110	45	5	34,100 lb
13570-EPR14	70 ft x 14 ft	135	45	5	38,850 lb
13580-EPR14	80 ft x 14 ft	135	45	6	43,600 lb

* **CLC = Concentrated Load Capacity:** The maximum axle-load concentration for a group of two axles with a center line spaced 4' apart and an axle width of 8' that can safely be applied to the scale.

Other sizes and capacities readily available. Please consult the Cardinal Scale factory for more options.

CONCRETE DECK MODELS

Armor® Concrete Deck Truck Scales | 45-Ton CLC, 11-ft Wide

Model	Platform Size	Capacity (Tons)	CLC (Tons)	Sections	Shipping Weight
4512-EPR-C	12 ft x 11 ft	45	45	2	4,500 lb
4520-EPR-C	20 ft x 11 ft	45	45	2	6,300 lb
4525-EPR-C	25 ft x 11 ft	45	45	2	7,125 lb
5030-EPR-C	30 ft x 11 ft	50	45	3	8,000 lb
7040-EPR-C	40 ft x 11 ft	70	45	3	11,100 lb
8050-EPR-C	50 ft x 11 ft	80	45	3	13,400 lb
11060-EPR-C	60 ft x 11 ft	110	45	4	16,550 lb
13570-EPR-C	70 ft x 11 ft	135	45	4	17,500 lb
13580-EPR-C	80 ft x 11 ft	135	45	5	20,233 lb
13590-EPR-C	90 ft x 11 ft	135	45	5	23,300 lb
135100-EPR-C	100 ft x 11 ft	135	45	6	26,000 lb
135110-EPR-C	110 ft x 11 ft	135	45	6	27,170 lb
135117-EPR-C	117 ft x 11 ft	135	45	6	28,900 lb
135120-EPR-C	120 ft x 11 ft	135	45	6	31,384 lb

Armor® Concrete Deck Truck Scales | 45-Ton CLC, 12-ft Wide

Model	Platform Size	Capacity (Tons)	CLC (Tons)	Sections	Shipping Weight
11060-EPR12-C	60 ft x 12 ft	110	45	4	16,200 lb
13570-EPR12-C	70 ft x 12 ft	135	45	4	19,200 lb
13580-EPR12-C	80 ft x 12 ft	135	45	5	22,300 lb
13590-EPR12-C	90 ft x 12 ft	135	45	5	24,800 lb

Armor® Concrete Deck Truck Scales | 45-Ton CLC, 14-ft Wide

Model	Platform Size	Capacity (Tons)	CLC (Tons)	Sections	Shipping Weight
8050-EPR14-C	50 ft x 14 ft	80	45	4	16,550 lb
11060-EPR14-C	60 ft x 14 ft	110	45	5	19,700 lb
13570-EPR14-C	70 ft x 14 ft	135	45	5	21,874 lb
13580-EPR14-C	80 ft x 14 ft	135	45	6	25,010 lb
13590-EPR14-C	90 ft x 14 ft	135	45	6	28,250 lb

* **CLC = Concentrated Load Capacity:** The maximum axle-load concentration for a group of two axles with a center line spaced 4' apart and an axle width of 8' that can safely be applied to the scale.

Other sizes and capacities readily available. Please consult the Cardinal Scale factory for more options.

CERTIFICATIONS

The Armor® Truck Scale meets or exceeds Class III/IIIL, 10,000 division accuracy requirements in accordance with NIST Handbook 44. A Certificate of Compliance Number **97-093** has been issued under the National Type Evaluation Program (NTEP) of the National Conference on Weights and Measures.



Notice of Approval
AM-4890



Cardinal Scale reserves the right to improve, enhance or modify features and specifications without prior notice. All registered trademarks are the property of their respective owners.

Cardinal
Cardinal Scale Manufacturing Co.
203 E. Daugherty, Webb City, MO 64870 USA
Pb: 417-673-4631 or 800-441-4237 • Fax: 417-673-5001
www.CardinalScale.com

Mobile: m.cardinalscale.com

SOLD BY: